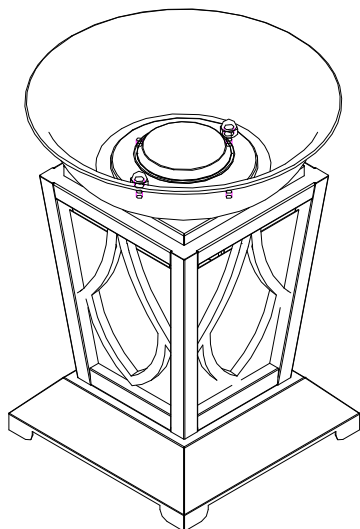


# OWNER'S MANUAL

▲ **READ BEFORE USE!** Factory No.: HYTT12208-41 Style No.:65124



## ▲ **WARNING**

### ▲ **USE PROPANE GAS ONLY!**

-Do not store or use gasoline or other flammable vapors in the vicinity of this or any other appliance.  
- Service must be performed by a qualified installer, service agency or the gas supplier.

**- WHAT TO DO IF YOU SMELL GAS:**  
• Immediately shut off gas supply at tank.

--CAUTION--

During Ignition procedure, one should NEVER get his/her face close to and or above the Burner. In case of the unnoticed flame may suddenly be lit up and causing injury.

## ▲ **WARNING**

**For Outdoor Use Only!  
Use Propane Gas Only !**

▲ Propane cylinders sold separately.

## ▲ **WARNING**

Improper installation, adjustment, alteration, service or maintenance can cause injury or property damage. Read the owner's manual thoroughly before installing or servicing this equipment. If the information in this manual is not followed exactly, a fire or explosion may result causing property damage, personal injury or loss of life.

## ▲ **WARNING**

The propane cylinder must be disconnected when this firebowl is not use.

## ▲ **WARNING**

For use with cylinders marked PROPANE only. DO NOT connect to a remote gas supply.

▲ If the tabletop firebowl is stored indoors, deatch and leave propane cylinder outdoors.

## ▲ **WARNING**

This tabletop firebowl must be attended at all times!



Design certified under CSA 4.96 U.S.(3rd Ed.)/CGA CR97-003

Requirements for Outdoor Gas Fireplaces



## **DANGER**

Failure to follow the Dangers, Warnings and Cautions contained in this Owner's Manual may result in serious bodily injury or death, or in a fire or an explosion causing damage to property.



## **WARNING**

- \*Do not use this tabletop firebowl for cooking.
- \*Do not burn any other materials than are supplied with and intended for use in this tabletop firebowl.
- \*Do not pour water into tabletop firebowl.
- \*The installation of this product must conform with local codes or, in the absence of local codes, with either the National Fuel Gas Code, ANSIZ223.1/NFPA 54, or CAN/CGA-B149.1, National Gas and Propane Installation Code.
- \*Do not use this tabletop firebowl if any part has been under water.
- \*Do not store a spare or disconnected propane cylinder under or near this tabletop firebowl.
- \*After a period of storage, and/or non use, the propane tabletop firebowl should be checked for gas leaks and burner obstructions before use.
- \*Do not operate the propane tabletop firebowl if there is a gas leak present.
- \*Never use a flame to check for gas leaks.
- \*Combustible materials should never be within 48 inches of the top, back or sides of your propane tabletop firebowl.
- \*Do not put any other fireblow cover or anything flammable on, or beneath the tabletop firebowl.
- \*The propane tabletop firebowl should never be used by children. Children must be supervised when they are anywhere near the appliance.
- \*Users should be alerted to the hazards of high surface temperatures and keep a safe distance to avoid burning or clothing ignition.
- \*Pay attention when operating the tabletop firebowl. It is hot in use and should never be left unattended. Do not transit it while in operation.
- \*Should fire go out while burning, turn the gas valve off. Follow the instruction and wait five minutes before attempting to relight.
- \*Never use charcoal or any other solid fuel in the fireblow. Never parch clothing or other flammable materials on or near the tabletop firebowl.
- \*Never lean over the open tabletop firebowl or place hands or fingers on the upper portion of an operational unit.
- \*Keep ventilation openings in cylinder enclosure(FIREBOWL BODY) free and clear of debris.
- \*Do not rest feet on the tabletop firebowl.
- \*Do not enlarge valve orifices or burner ports when cleaning the valve or burner.
- \*Propane gas is not natural gas. Only use propane for this tabletop firebowl.
- \*The conversion or attempted use of natural gas in a propane unit propane gas in a natural gas unit is dangerous.
- \*Do not use this tabletop firebowl on vehicles or boats. Always operate the appliance on flat ground outdoors.
- \*Keep any electrical supply cord and the fuel supply hose away from any heated surfaces.
- \*Do not use this tabletop firebowl unless all parts are in place.

- Young children should be carefully supervised when they are in the area of the appliance.
- Clothing or other flammable materials should not be hung from the appliance, or placed on or near the appliance.
- Any guard or other protective device removed for servicing the appliance must be replaced prior to operating the appliance.
  
- Installation and repair should be done by a qualified service person. The appliance should be inspected before use and at least annually by a qualified service person. More frequent cleaning may be required as necessary. It is imperative that control compartment, burners and circulating air passageways of the appliance be kept clean.

## FOR PROPANE GAS UNITS

- \*The gas pressure regulator provide with the propane fire bowl must be used.
- \*Do not attempt to disconnect the gas regulator or any gas fitting while your tabletop firebowl is in operation.
- \*A dented or rusty propane cylinder may be hazardous and should be checked by your gas supplier prior to use.
- \*Do not use a propane cylinder with a damaged valve and any other worn out parts.
- \*Transit and store the empty gas cylinders carefully and properly.
- \*If you see, smell or hear the hiss of escaping gas from the propane cylinder:
  1. Disconnect propane gas cylinder
  2. Do not attempt to correct the problem yourself.
  3. Get to your gas supplier and/or the fire department for help.
  
- \*Any guard or other protective device removed for servicing this fire bowl must be replaced prior to operating this appliance.
- \*The maximum supply pressure is the bottle pressure.
- \*This appliance is designed for use with a 16.40Z (1Lb) propane gas cylinder (disposable). The propane cylinder must be constructed and marked in accordance with the specifications for Gas cylinders of the U.S. Department of Transportation (DOT) or the National Standards of Canada, CAN/CSA-B339, cylinders, Spheres and Tubes for Transportation of Dangerous Goods;and Commission,as applicable.
- \*Cylinders must be stored outdoors in well-ventilated area out of the reach of children.
- \*Disconnect cylinders must have valve caps tightly installed and must not be stored in a building or any other enclosed area.

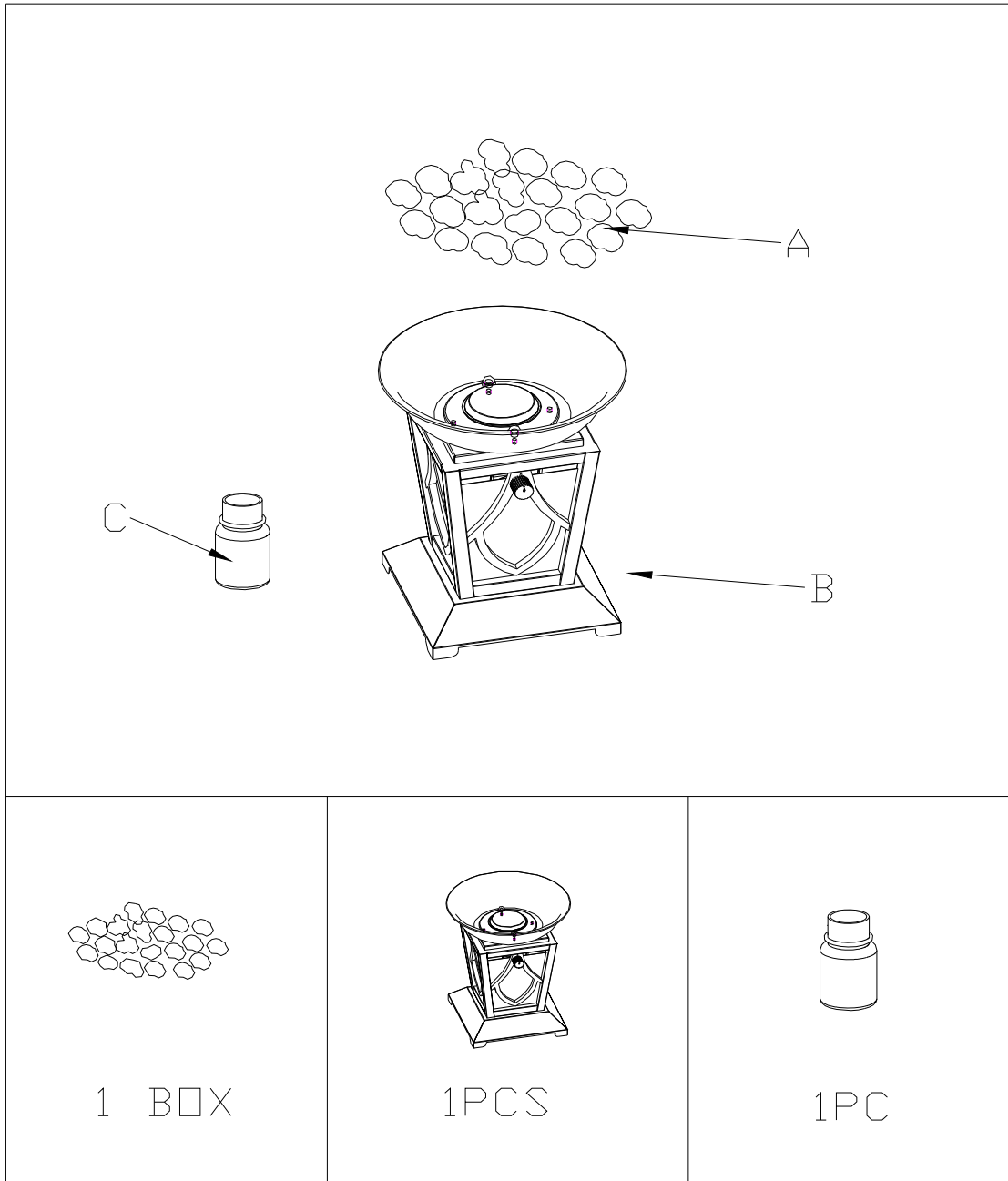
## **WARNING--TOUCH-UP PAINT**

- \*Keep away from heat, sparks and flame.
  - \*Vapors may cause flash fire.
  - \*Do not smoke.
  - \*Use only with adequate ventilation.
  - \*Do not breathe vapors.
  - \*Avoid contact with eyes and skin.
- FIRST WARNING:
- \*Eye contact: Flush immediately with water for at least 15 minutes.
  - \*Skin contact: Wash thoroughly with soap and water.
  - \*If you experience difficulty in breathing, obtain fresh air.
  - \*If swallowed, do not induce vomiting.
  - \*Call physician immediately.
- \*DIRECTIONS: Shake well, recap after use.
- CONTAINS:
- \*Resin, Plgment, Solvent.
  - \*KEEP OUT OF THE REACH OF CHILDREN.

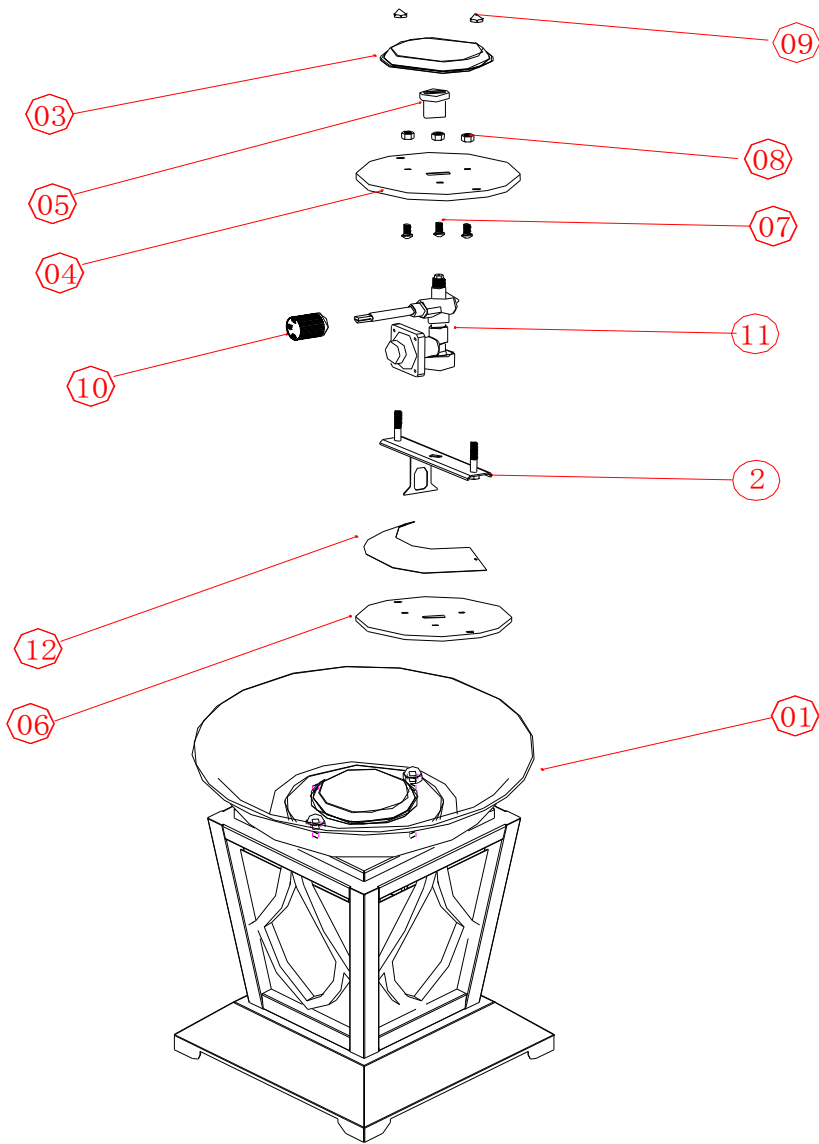
## **WARNING !**

Lava Rocks could hit somebody's face or eyes during initial start of this unit , so please keep away from the firebowl for the first 20 minutes after it has been ignited.

# Accessories



ITEM	DESCRIPTION	QTY
A	LAVA ROCKS	1 BOX
B	BODY	1PC
C	TOUCH-UP PAINT	1PC



ITEM	SPECIFICATION	QTY	PARTS NO.	ITEM NO.	SPECIFICATION	QTY	PARTS NO.
1	Body	1	B00501	7	M6 x 10 Screw	3	B00507
2	Control Mounting Bracket	1	B00502	8	M6 Nuts	3	B00508
3	Burner	1	B00503	9	Round head Nuts	2	B00509
4	Burner Plate	1	B00504	10	Knob	1	B00510
5	Venturi Tube	1	B00505	11	Regulator	1	B00511
6	Heat Shield	1	B00506	12	CSA Plate	2	B00512

## ASSEMBLY INSTRUCTIONS

**\* Please keep this owner's manual for future reference.**

**\*If you have opened the carton and removed all packages, please disregard the STEP 1 and 2. See the STEP 3 directly.**

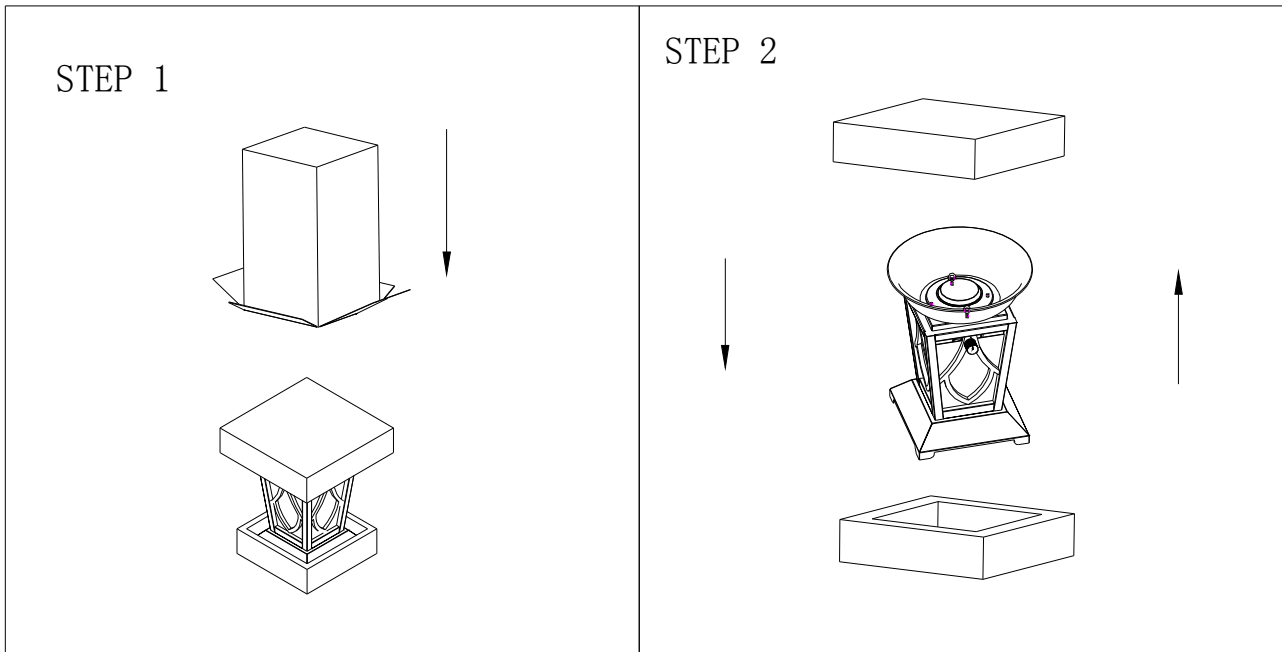
**STEP 1.**(1) Lift off the carton carefully and be wary of the accessories inside falling away. Take away the box containing lava rocks.

(2) Take all the packing materials away except for the polyfoam rounding the top of the tabletop firebowl.

See **Figure STEP 1.**

**STEP 2.** Cut off the binding tape on the polyfoam and remove all the polyfoam rounding the top of the tabletop firebowl.

See **Figure STEP 2.**



**STEP 3.**

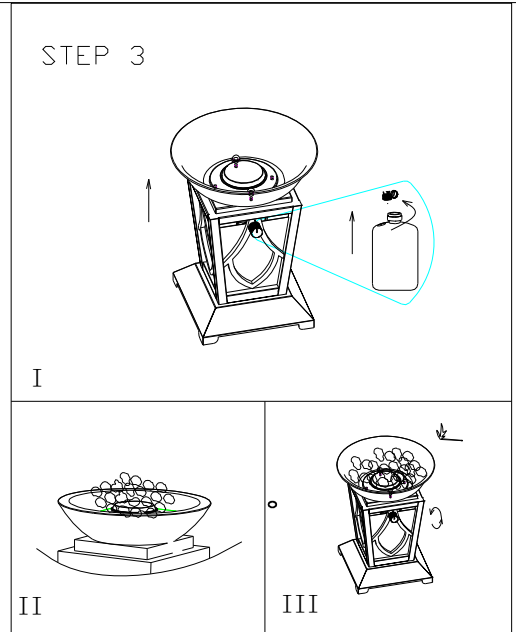
(I) Make sure the gas valve is turned "OFF" before assembling. Check each part before using the product.

To set the gas tank in the firebowl, screw it to the regulator inlet fitting inside the tabletop firebowl.

See Figure I.

(II) Place the lava rocks on the burner averagely. See Figure II.

(III) After assembling the gas tank, push and turn the Control Knob counter-clockwise, then use a match or a lighter to light the tabletop firebowl. To adjust the flame, turn the Control Knob. Push and turn the Control Knob clockwise to turn the flame off. See Figure I and III.



**STEP 4. LEAK TEST**

Perform leak test in a well ventilated area outside and where no source of spark can occur. Connect cylinder to regulator. Turn the on/off valve at the unit to the 'off' position to pressurize the control system. Use a soapy water solution to check all the connections leaks before attempting to light the appliance. **If a leak is found or you smell gas, disconnect cylinder and turn valve off and do not use the appliance until repairs can be made.**

**TIPS:** Before Beginning ● Read the instructions thoroughly.

- Check and make sure that all parts are present.
- For future reference, save this owner's manual.

**Caution:**

**\*If the burner does not ignite with the valve open, gas will continue to flow out of the burner and could accidentally ignite with risk of injury.**

## TO LIGHT

*Before each use, inspect all parts.*

\*After assembling the gas tank, push and turn the Control Knob counter-clockwise, then use a match or a lighter to light the fireblow. To adjust the flame, turn the Control Knob. Push and turn the Control Knob clockwise to turn the flame off.



## TO EXTINGUISH

- ※ Push the Control Knob and turn clockwise to the "OFF" position.
- ※ Disconnect propane cylinder to close the gas supply if not for use in a long time.

## ROUTINE CARE

- ※ Keep your tabletop firebowl free and clear from combustible materials.
- ※ Visually inspect burner from obstructions, keep tank enclosure free and clear from debris.
- ※ After the burner and lava rocks are completely cooled down, use a soft brush to get rid of the mild stains, loose dirt and soil. Wipe with a soft cloth.

## STUBBORN STAINS

- ※ Stubborn stains, discoloration and possibly rust pitting can occur from exposure to harsh outdoor conditions.
- ※ Be careful not let any powder or solvent come in contact with painted or plastic components as damage may occur.

# MAINTENANCE

※ Use touch-up paint if there is any little chips on the firebowl. Tightens the bottle cap after using it and keep it far away the

kids and pets.

※ Store the tabletop firebowl in a cool dry place away from direct sunlight.

※ The propane cylinder must be disconnected and removed from the tabletop firebowl before the appliance can be stored indoors.

※ Use Manufacturer approved or supplied replacement parts and accessories only. Otherwise may void the warranty of this product and result in a hazardous condition.

※ Please contact the Manufacturer for information regarding replacement parts and lava rocks, etc.

IF YOU HAVE QUESTIONS OR CONCERNS  
PLEASE CALL BOND TOLL FREE #  
1-866-771-BOND(2663) OR TO BETTER  
EXPEDITE YOUR REQUEST FEEL FREE TO EMAIL US  
[customerservice@bondmfg.com](mailto:customerservice@bondmfg.com)

OR LOG IN TO OUR WEBSITE UNDER CUSTOMER SERVICE SUPPORT

[www.bondmfg.com](http://www.bondmfg.com)  
1700 W. 4th Street Antioch, CA 94509